

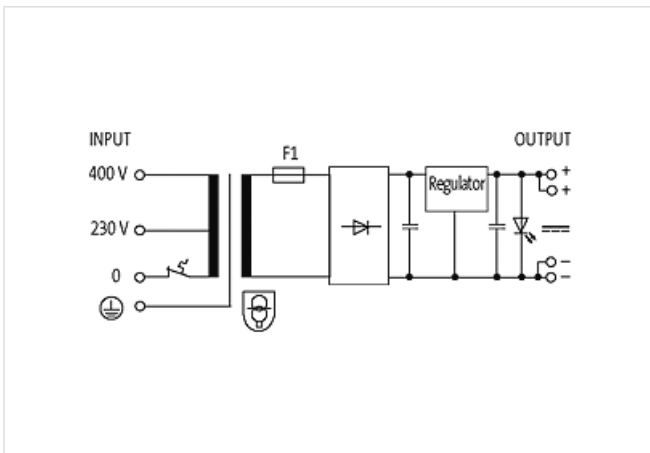
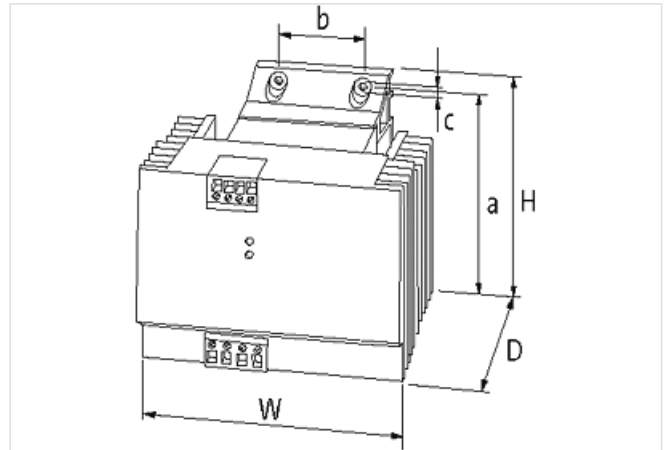
NLS POWER SUPPLY 1/2-PHASE, LINEAR REGULATED

IN: 230/400VAC OUT: 24V/2ADC

Current: 2 A

Output rating: 48 W

This power supply units meet the (EN 61000-3-2) standard for harmonic current.

[Odkaz k produktu](#)**Obrázky**

Výrobok sa môže líšiť od zobrazenia

**General data**

Standards	EN 61558-2-6, EN 62041 category II, EN 55011 B, EN 61000-3-2
Mounting method	DIN-rail mountable TH35 (EN 60715); key-hole mounting/screwable
Efficiency	59%
Dimensions HxWxD	110x128x135 mm
Fixing centers axbxc	98x44x4.5 mm
Temperature range	0...+60 °C, no condensation

Output	
Output voltage	24 V DC (SELV), $\pm 2\%$
Output current	2 A (max. 6 A short-term)
Ripple	max. 2 mV
Unit protection	short-circuit and overload protected
Output fuse	3.15 A (T), 5x20 mm
LED display	LED (green): in operation; LED (red): failure
Input	
Input voltage	230/400 V AC
Input current	0.54 A (230 V AC); 0.32 A (400 V AC)
Input fuse (external)	1.0/0.6 A (T)
Frequency	50..60 Hz
Safety	Thermal switch input side