

CUBE67 AO4 C 4XM12 (U) VA

Compact module

AO4 - (C) 4× M12 (U)

Voltage

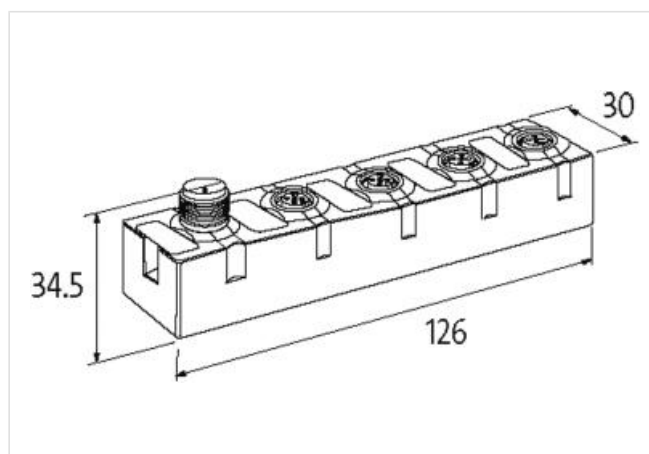
Metal parts: Stainless steel

Connection cables are in the online shop under "Connection Technology".

Housing fully potted.

[Odkaz k produktu](#)**Obrázky**

Výrobok sa môže líšiť od zobrazenia

**General data**

Mounting method	2-hole screw mounting
Temperature range	0...+55 °C (storage temperature -20...+75 °C)
Protection	IP67
Dimensions H×W×D	126×30×34.5 mm

Output

Supply voltage	24 V DC (EN 61131-2), via system connection (max. 4 A)
Resolution (analog)	11 Bit + sign
Conversion time (analog)	approx. 1 ms (per channel)
Actuator supply UA	24 V DC (EN 61131-2), max. 1.6 A (M12 female), short-circuit and overload protected
Accuracy	max. ±0.5% (of range limit)

Internal communication

LED display	US: sensor supply and internal supply voltage (green: OK); UA: actuator supply (green: OK)
Current consumption	max. 50 mA

Voltage output signals

Input range	±10 V DC, 0...10 V DC
Load	min. 500 Ω

Connections

Fieldbus	via internal system connection
Sensor-system/actuator supply	via internal system connection (max. 2× 4 A)

I/O ports M12 (female) 5-pole, A-coded

Product article number of manufacturer 5671050

Diagnostic

Communication status	via LED
Diagnostic via LED	per module and channel
Diagnostic via BUS	per module and channel
Actuator warning	per channel via LED and BUS
Monitoring - under voltage	yes
Monitoring - no voltage	yes
Wire break upper/lower limit overload	per channel via LED and BUS
Short-circuit and overload	yes